

# FORMEX™ GK-94 PRODUCT DATA

## FLAME RETARDANT POLYPROPYLENE SHEET

TEST METHOD		FORMEX GK-94
Color		Black
<b>MANUFACTURING SPECIFICATION</b>		
Thickness		
inches		0.094 (+0.004 / -0.004)
millimeters		2.38 (+0.1 / -0.1)
<b>UL FLAMMABILITY RATING / PERFORMANCE LEVELS</b>		
Flammability	UL 94	V-0
Relative Temperature Index	UL 746B	
Electrical		115°C / 239°F
Mechanical Without Impact		115°C / 239°F
High Current Arc Ignition - PLC (arcs to ignite)	UL 746A	0
High Voltage Arc Tracking - PLC (in / min)	UL 746A	0
Hot Wire Ignition - PLC (seconds)	UL 746A	0
Comparative Tracking Index - PLC	ASTM D-3638	0
<b>TYPICAL MECHANICAL PROPERTIES VALUES</b>		
Tensile Yield - psi	ASTM D-882 / ISO 527-1,-2	
Machine Direction		4,000
Transverse Direction		3,700
<b>TYPICAL PHYSICAL PROPERTIES VALUES</b>		
Density - gm/cc	ASTM D-792 / ISO 1183-1, Method A	1.035
Oxygen Index - %	ASTM D-2863 / ISO 4589--1,-2	29
Water Absorption - % Change in weight	ASTM D-570 / ISO 62, Method 4	0.06%
Heat Deflection Temperature under load	ASTM D-648 0.45MPa / ISO 75-1,-2,Method B	121°C / 250°F
Surface Energy - dynes / cm (as produced)	ASTM D-2578	≥ 50
<b>TYPICAL ELECTRICAL PROPERTIES VALUES</b>		
Comparative Tracking Index - volts	IEC 60112	600
Dielectric Breakdown - volts	ASTM D-149 / IEC 60243-1	45,313
Dielectric Strength - volts / mil	ASTM D-149 / IEC 60243-1	731
Volume Resistivity - ohm-cm	ASTM D-257 / IEC 62631-3-1	3.97 x 10 <sup>15</sup>
Dielectric Constant	ASTM D-150 / IEC 60250, 1MHz	1.90
Dissipation Factor	ASTM D-150 / IEC 60250, 1MHz	0.0023
<b>PACKAGING INFORMATION</b>		
Standard Configuration		Sheet
Sheet Sizes - inches (millimeters)		24 x 48 (610 x 1,219)

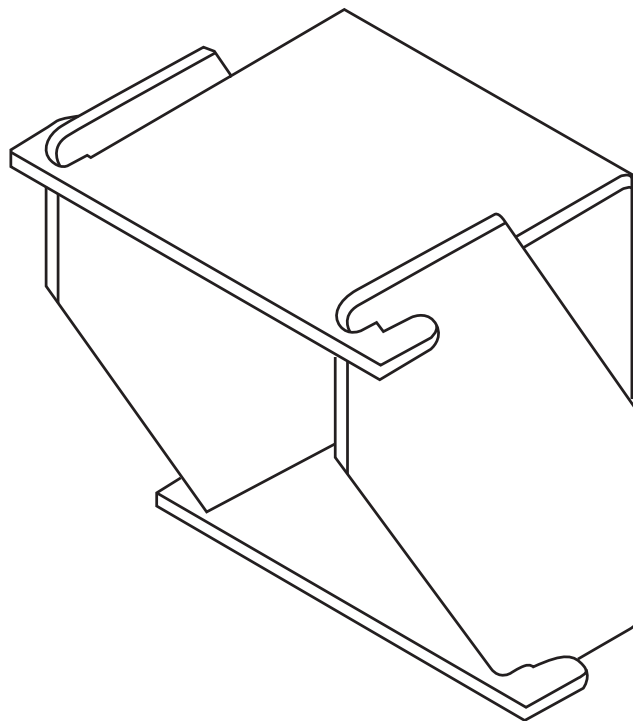
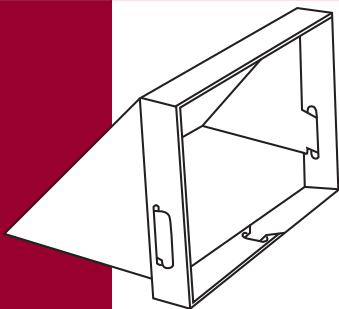
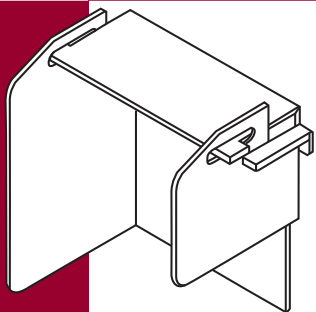
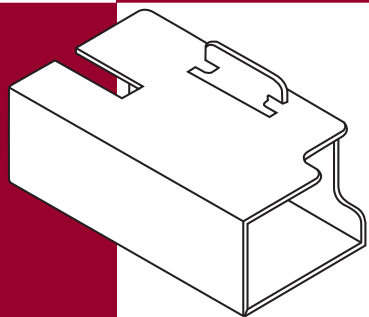
Notice: The above data is believed to be accurate and reliable. ITW assumes no responsibility for end-use application, and no performance warranty is expressed or implied. Formex is a registered trademark of ITW. GK-94 is the specific name of our product. Others can not use it without our permission.

# **ITW** Formex<sup>®</sup>

## **FORMEX™ GK-94**

**FLAME RETARDANT**

**POLYPROPYLENE SHEET**



- Flammability Rating UL 94 VTM-0
- H2O Absorption 0.06%
- Temperature Rating 115°C / 239°F
- Dielectric Strength 731 Volts / mil @0.005"
- UL Recognized File E121855

**For more information or Formex GK-94 samples, please contact us at 630-315-2171.**

425 N. Gary Ave. Carol Stream, IL 60188

[www.itwformex.com](http://www.itwformex.com)